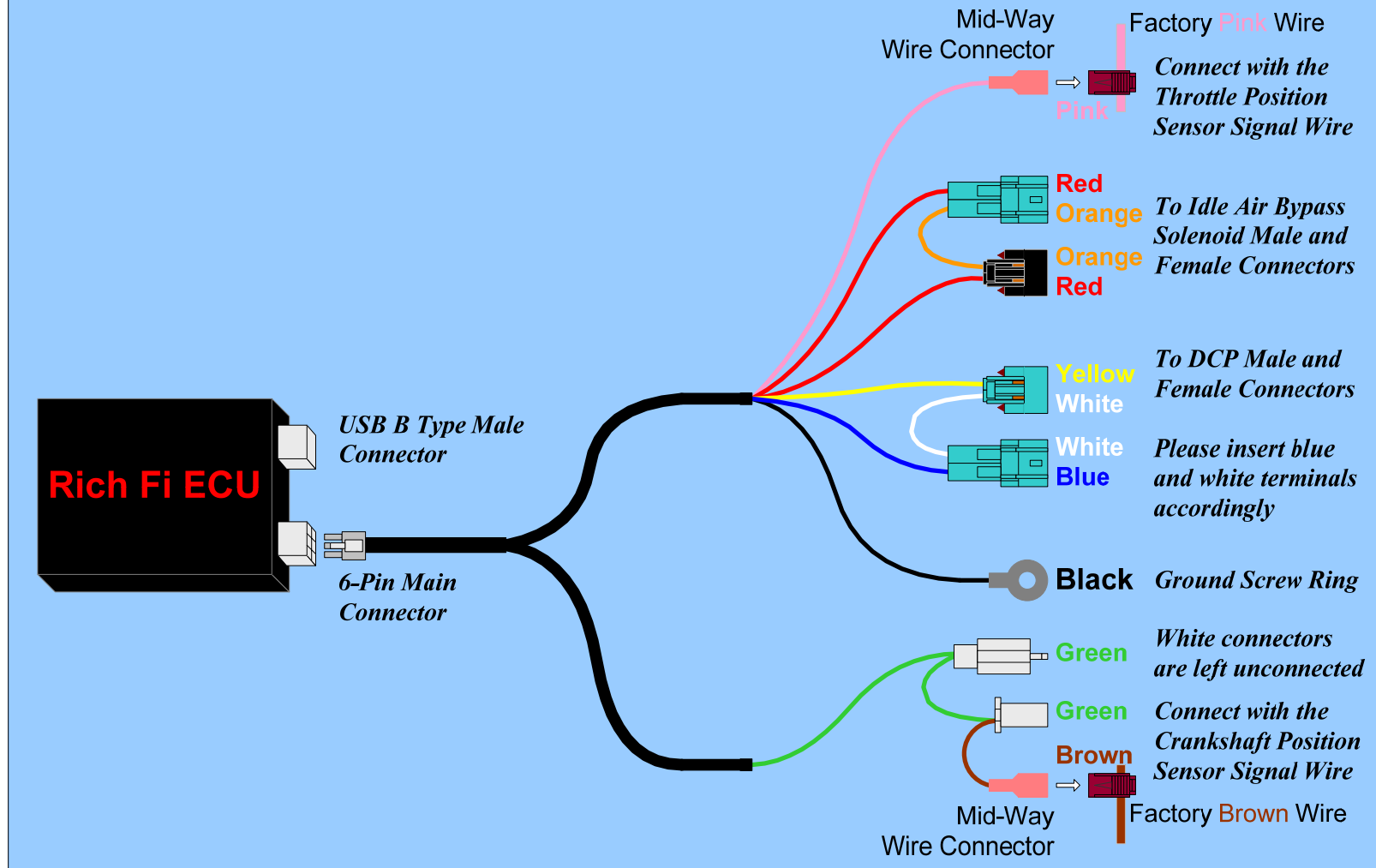
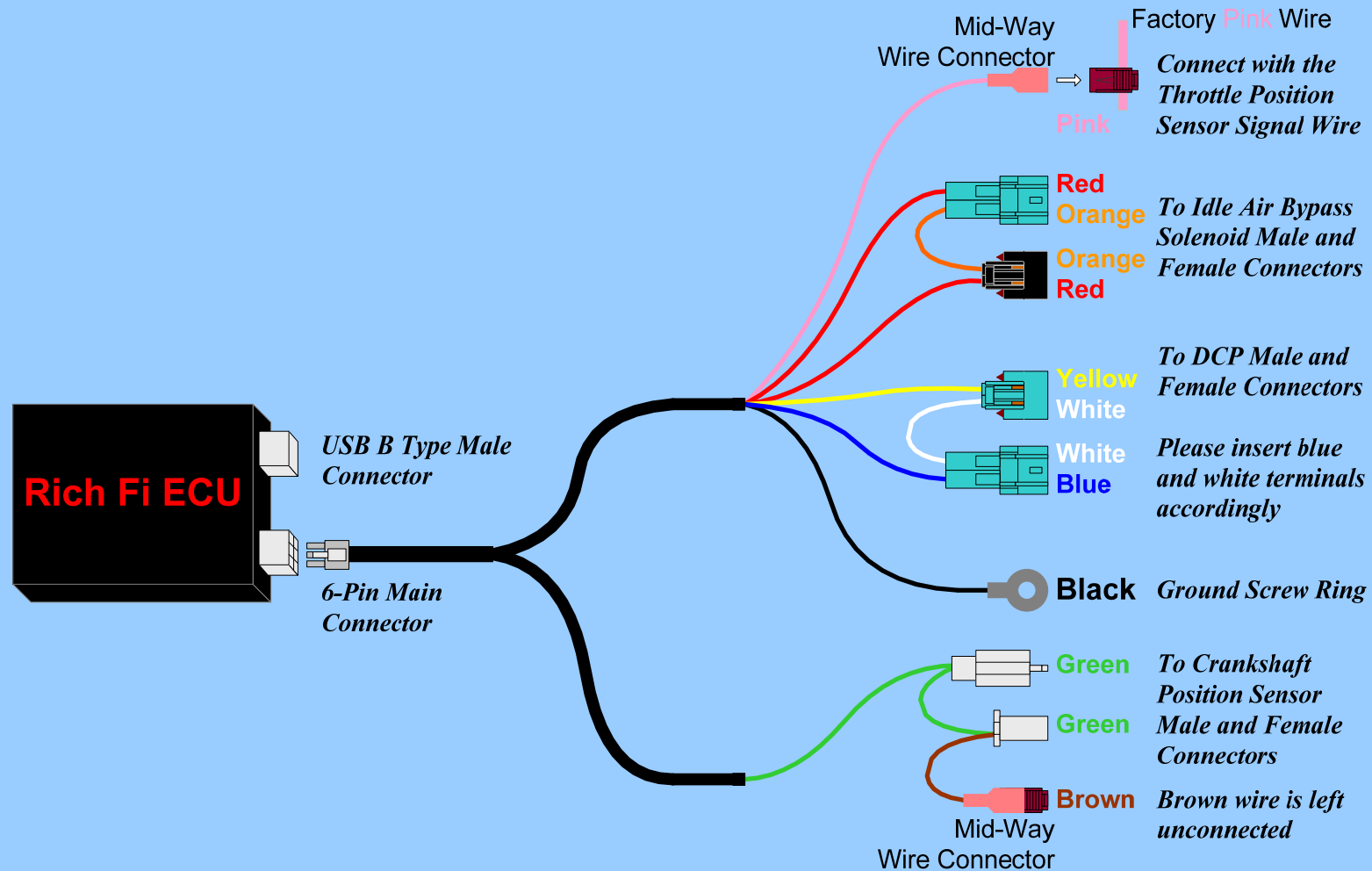


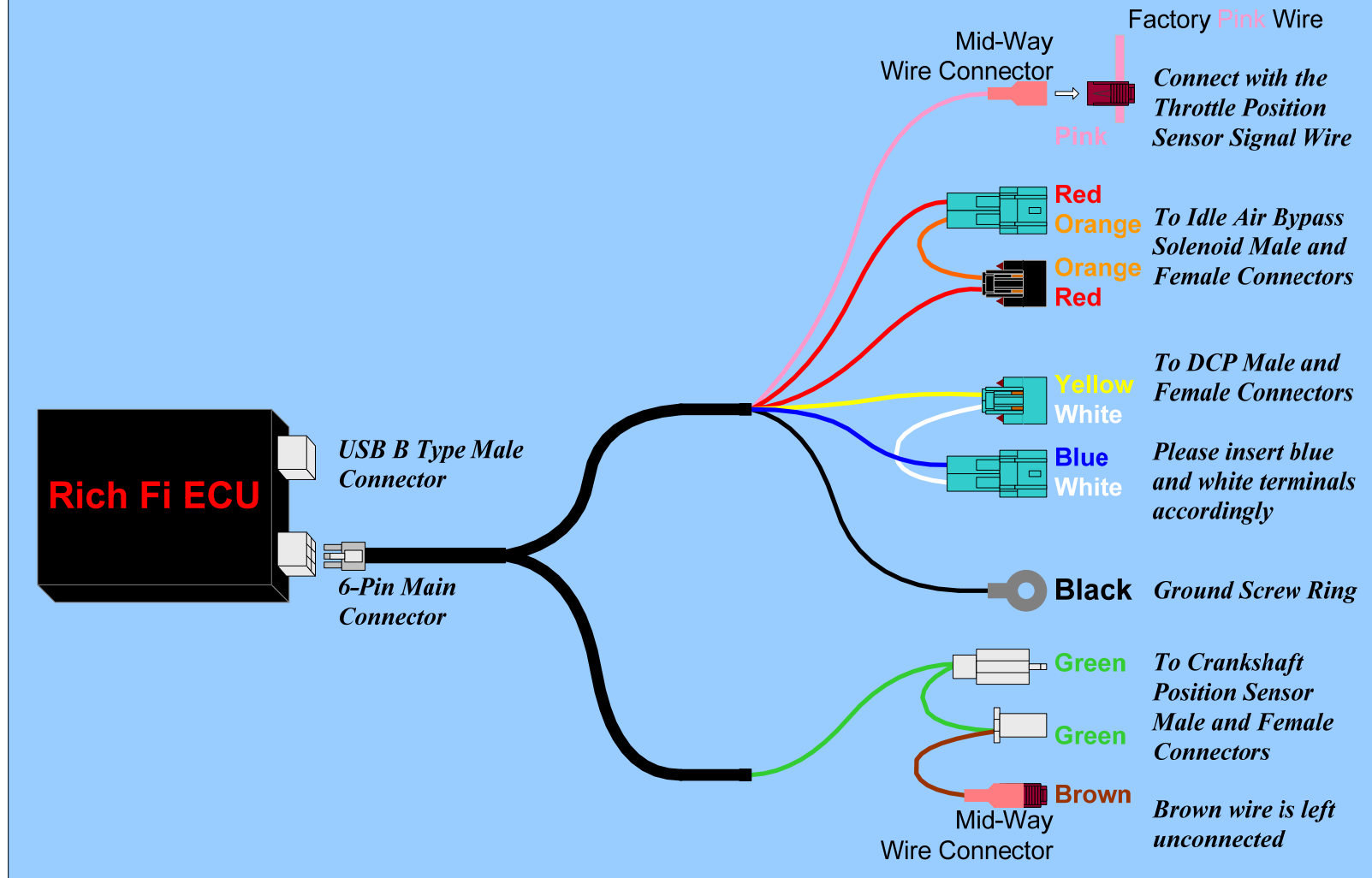
Wiring Diagram of Rich Fi ECU for SUZUKI Address (without O₂ Sensor)



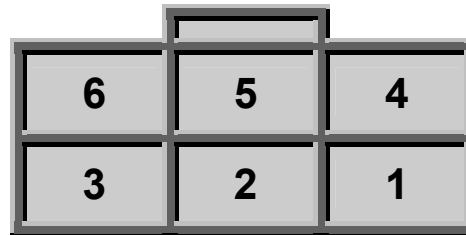
Wiring Diagram of Rich Fi ECU for SUZUKI Address / Music (with O₂ Sensor)



Wiring Diagram of Rich Fi ECU for SUZUKI Tekken / V125S



Main Connector Pin Number Mapping



Main Connector Signal Definition

Pin No.	Signal Description	Wire Color
1	TPS (Throttle Position Sensor) Input	White
2	Power Ground	Black
3	Fuel Injection Input (from Factory ECU)	Blue
4	CPS (Crankshaft Position Sensor) Input	Orange
5	+12V Power	Red
6	Fuel Injection Output (to DCP)	Yellow